



MVP861

AUDIO/VIDEO PLAYER



CONTENTS

| | | | |
|----------------------------------|-------|------------------------------------|---------|
| Performance Specifications | 2 | Main Schematic and PCB | 9 - 16 |
| Notes | 3 | Mechanism | 17 |
| Safety Information | 3 | Video | 18 |
| Rear Panel | 5 | Display Schematic and PCB | 19 - 22 |
| Section Location | 5 | Parts List | 21 - 28 |
| Block Diagram | 6 | Exploded View and Parts List | 29 - 30 |
| Interconnection Diagram | 7 - 8 | Repacking Instructions | 31 |

SERVICE MANUAL

PERFORMANCE SPECIFICATIONS

Audio Specifications

Number of Channels

2 and 5.1

Output Level

2.0Vrms Balanced (2 Channel Output)
2.0Vrms Unbalanced (2 Channel Output and 5.1 Channels)

Output Impedance

600 ohms Balanced (2 Channel Output)
600 ohms Unbalanced (2 Channel Output and 5.1 Channels)

Audio Frequency Response (DVD-Video)

4Hz to 22,000Hz (48kHz Sampling, Linear Audio)
4Hz to 44,000Hz (96kHz Sampling, Linear Audio)

Audio Frequency Response (DVD-Audio)

4Hz to 88,000Hz (192kHz Sampling)

SACD Frequency Response

4Hz to 100,000Hz

CD Frequency Response

4Hz to 20,000Hz

Signal to Noise Ratio

115dB

Dynamic Range

Better than 110dB (Linear Audio)

Harmonic Distortion

0.002%

Channel Separation

Better than 110dB (1,000Hz)

Video Specifications

Signal System

NTSC/PAL Region Code 1

Component Video Output Level

Y Output Level 1.0Vp-p (75 ohm)
P Output Level 0.648Vp-p (75 ohm)
P_B
P_R Output Level 0.7Vp-p (75 ohm)

S-Video Y Output Level

1Vp-p (75 ohm)

S-Video C Output Level

0.286Vp-p (75 ohm) (NTSC)

Video Output Level

1Vp-p (75 ohm)

General Specifications

Digital Output

Optical: -15dbm to -21dbm
Coaxial: 0.5V p-p/75 ohm

Digital Signal Format

Sampling Frequencies: 44,100Hz, 48,000Hz and 96,000Hz

Transport

Laser Beam Wavelength: 630nm-810nm
Laser Power: CLASS I

Power Requirements

100 Volts, 50/60Hz at 35 watts
110 Volts, 50/60Hz at 35 watts
120 Volts, 50/60Hz at 35 watts
220 Volts, 50/60Hz at 35 watts
230 Volts, 50/60Hz at 35 watts
240 Volts, 50/60Hz at 35 watts

Note: Refer to the rear panel of the MVP861 for the correct voltage.

Overall Dimensions


Front Panel: 17-1/2 inches (44.45cm) wide, 5-3/8 inches (13.69cm) high. Depth is 13-1/8 inches (33.38cm).

Note: When the disc tray is opened, the panel clearance required in front of mounting panel is 6-3/4 inches (17.2cm).

Weight

21.5 pounds (9.8kg) net, 35.5 pounds (16.1kg) in shipping carton

NOTES

1. The heavy notes on the schematic denote the primary signal path.
2. Unless otherwise noted, all voltages indicated on the schematics are measured under the following conditions:
 - a. AC input at 120 volts, 50/60Hz.
 - b. All voltages are +/-10% with respect to ground. A high impedance (10 megaohm) voltmeter must be used.
3. Unless otherwise specified:
 - a. Resistor values are in ohms.
 - b. Capacitor values are microfarads (uF).
 - c. Inductor values are in microhenries (uH).
4. On PC board drawings, Square pad indicates:
 - a. Polarized Capacitors - Positive
 - b. Diodes - Cathode
 - c. Others - Pin 1
5. **WARNING**
Parts marked with the symbol  have critical characteristics. Use only replacement parts recommended by the manufacturer.
6. Use McIntosh Remote Control Model HR052 with the MVP861.

SAFETY INFORMATION

CAUTION: Invisible Laser Radiation when open. DO NOT stare into the beam or view directly with optical instruments. Use of controls or adjustments or performance of procedures other than those specified in the Owners Manual may result in Hazardous Radiation Exposure.

This product incorporates an embedded Class 3R Laser (IEC60825-1).

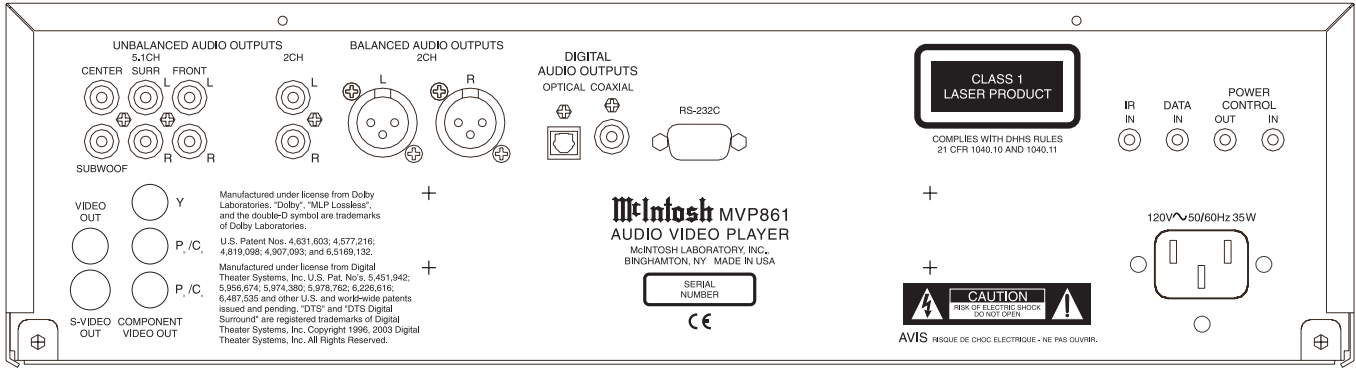
LUOKAN 1 LASERLAITE KLASS 1 LASER APPARAT

VAROITUS! Laitteen käyttäminen muulla kuin tassa käyttöohjeessa mainitulla tavalla saattaa altistaa käyttäjän turvallisuusluokan 1 ylittävälle näkymättömälle lasersäteilylle.

VARNING! Om apparaten används på annat sätt än i denna bruksanvisning specificerats, kan användaren utsättas för osynlig laserstrålning, som överskrider gränsen för laserklass 1.

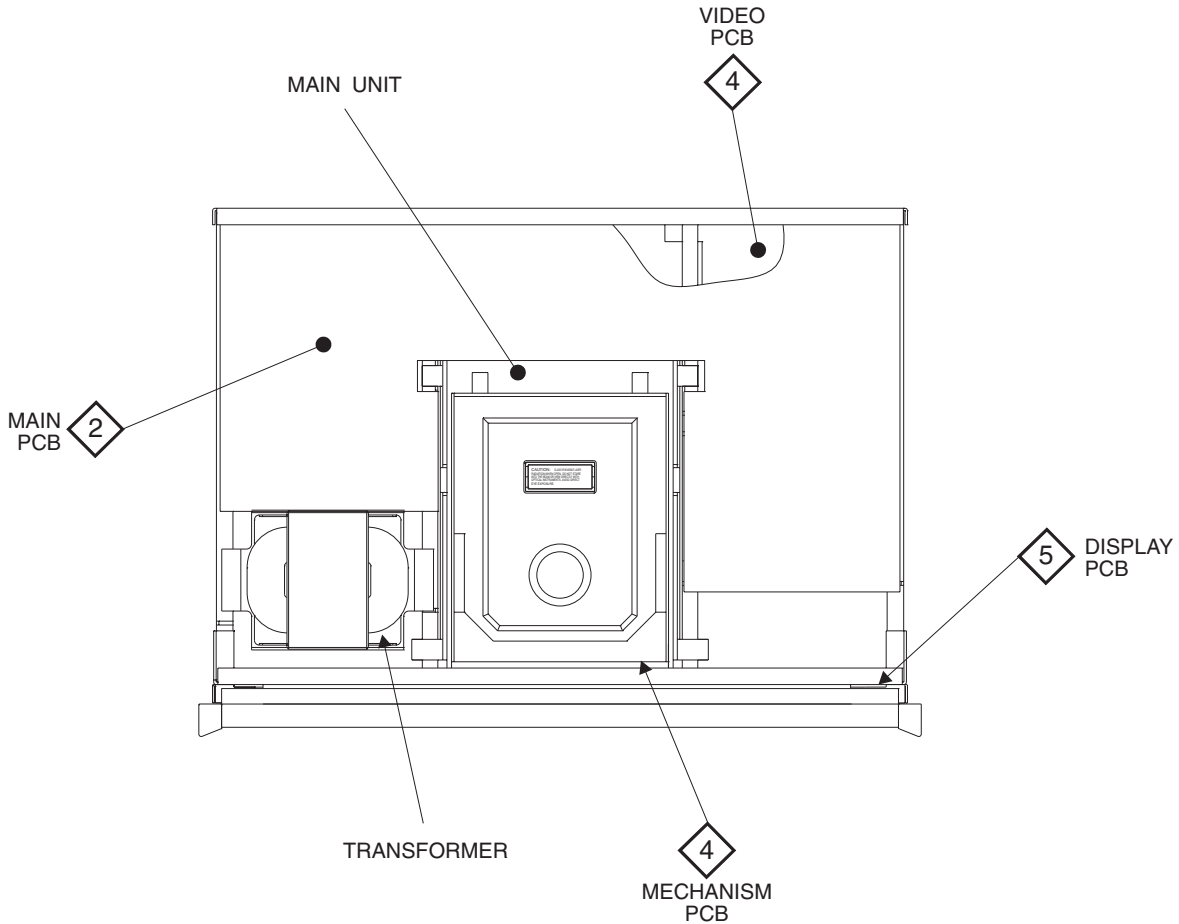
NOTES

REAR PANEL

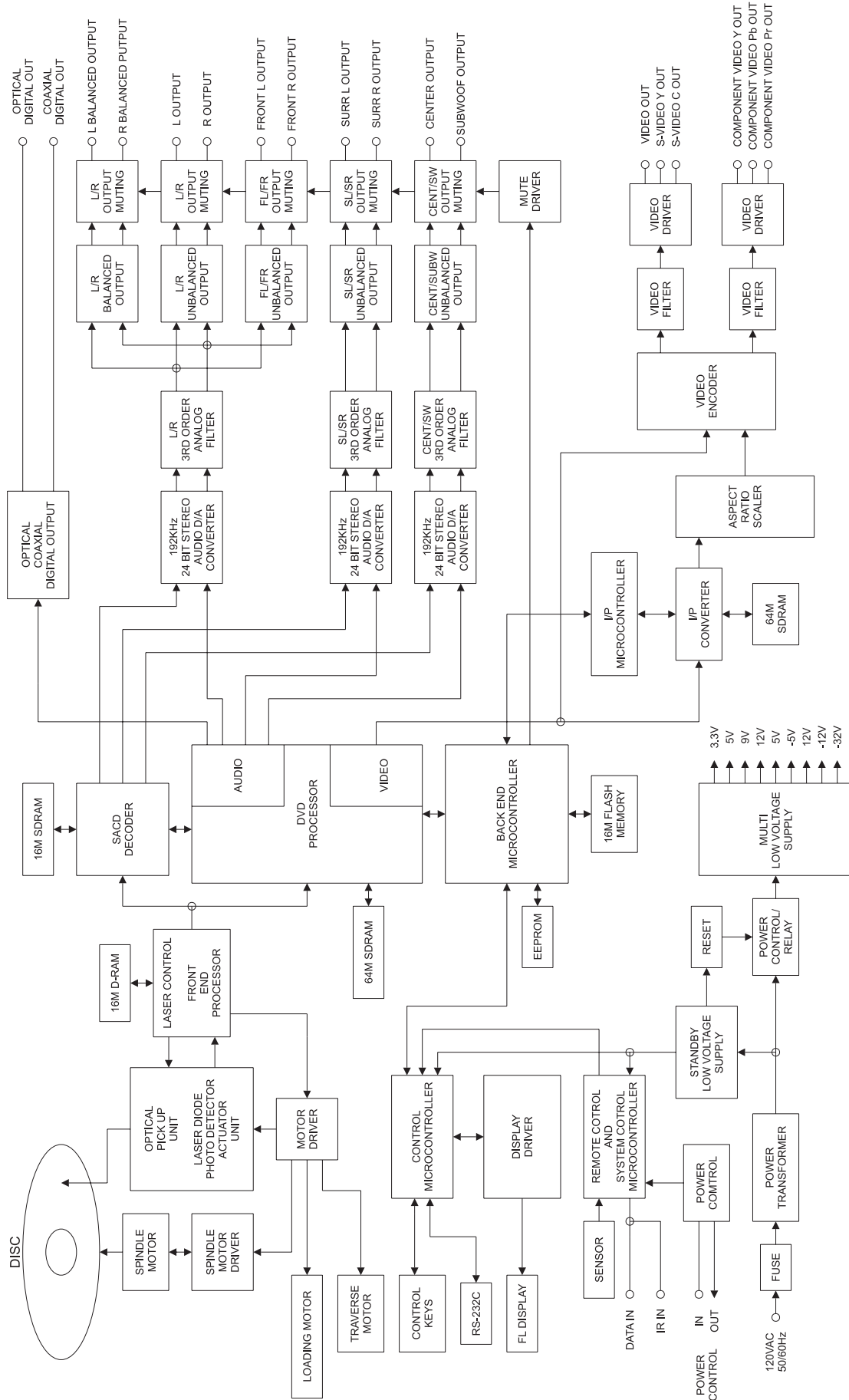


SECTION LOCATIONS

TOP VIEW WITH COVER REMOVED



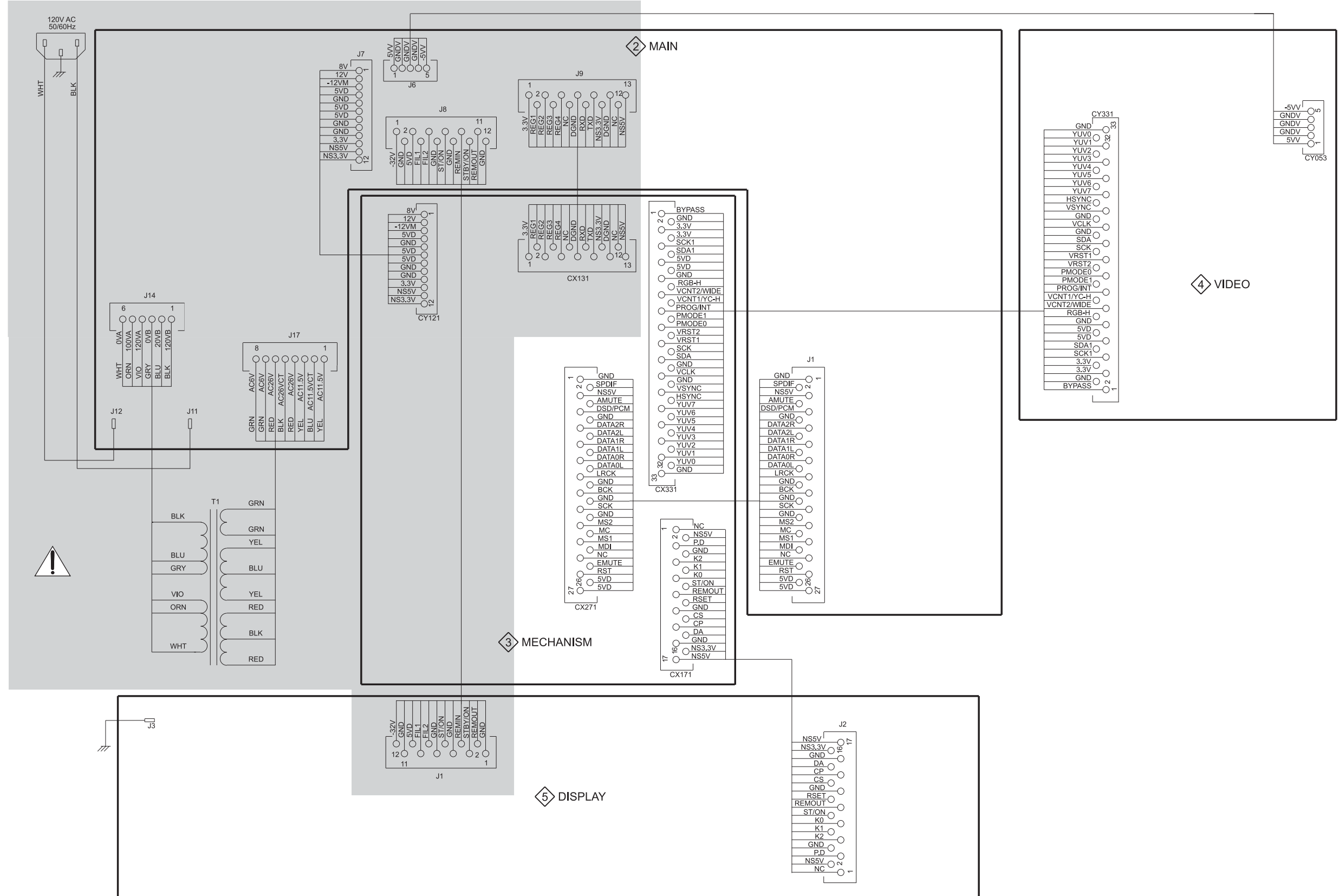
BLOCK DIAGRAM



INTERCONNECT

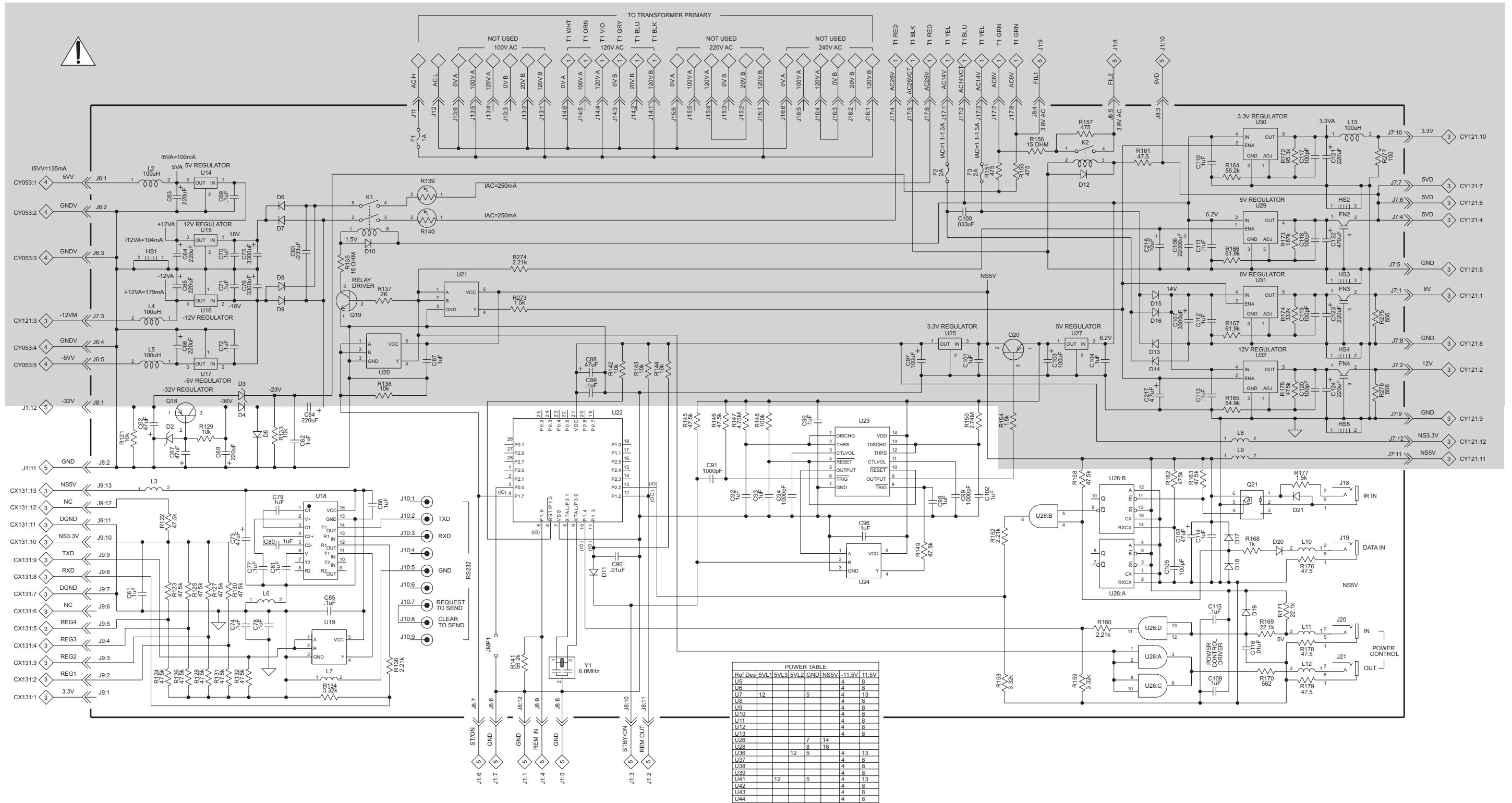
MVP861

! WARNING Parts located in the shaded area have critical characteristics. Use only replacement parts recommended by the manufacturer.

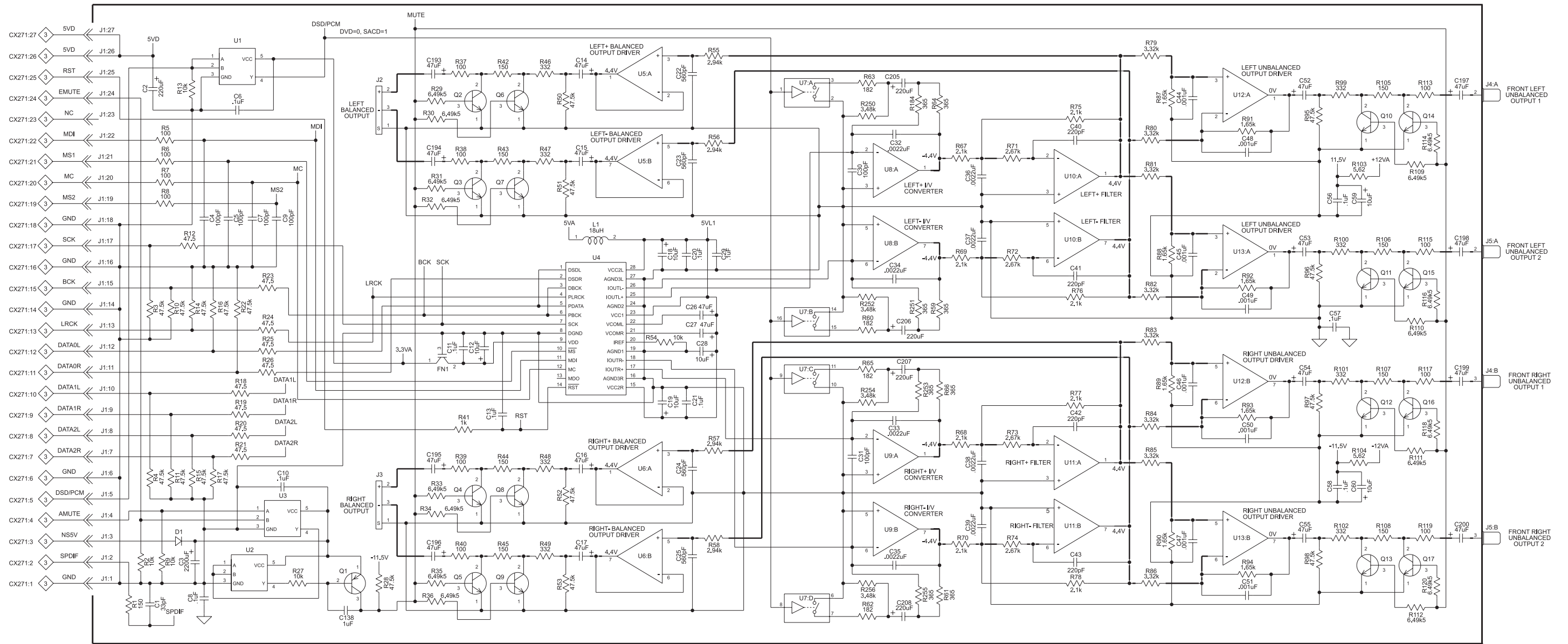


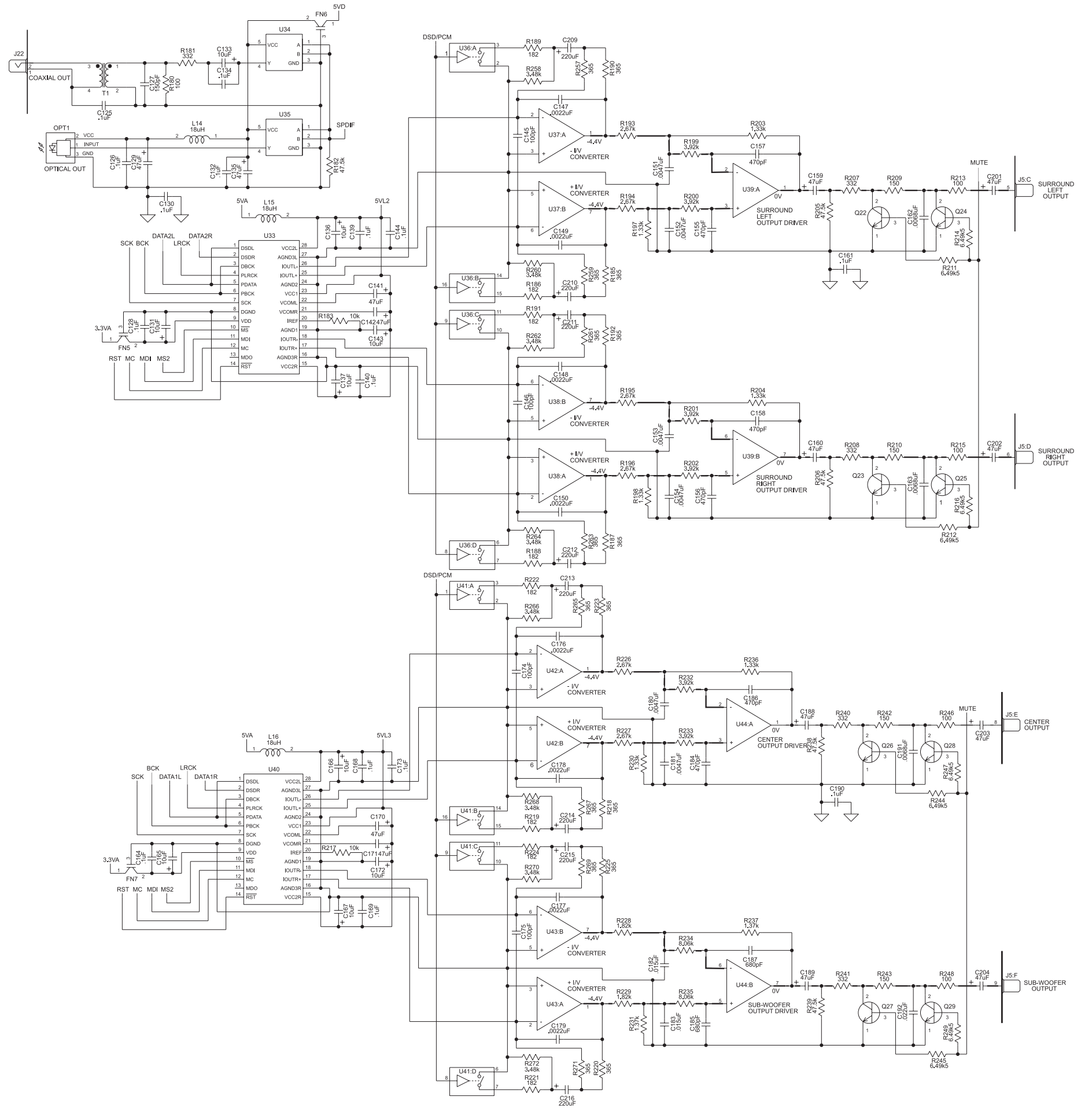
2 MAIN 050114 SH 1 OF 3

WARNING Parts located in the shaded area have critical characteristics. Use only replacement parts recommended by the manufacturer.

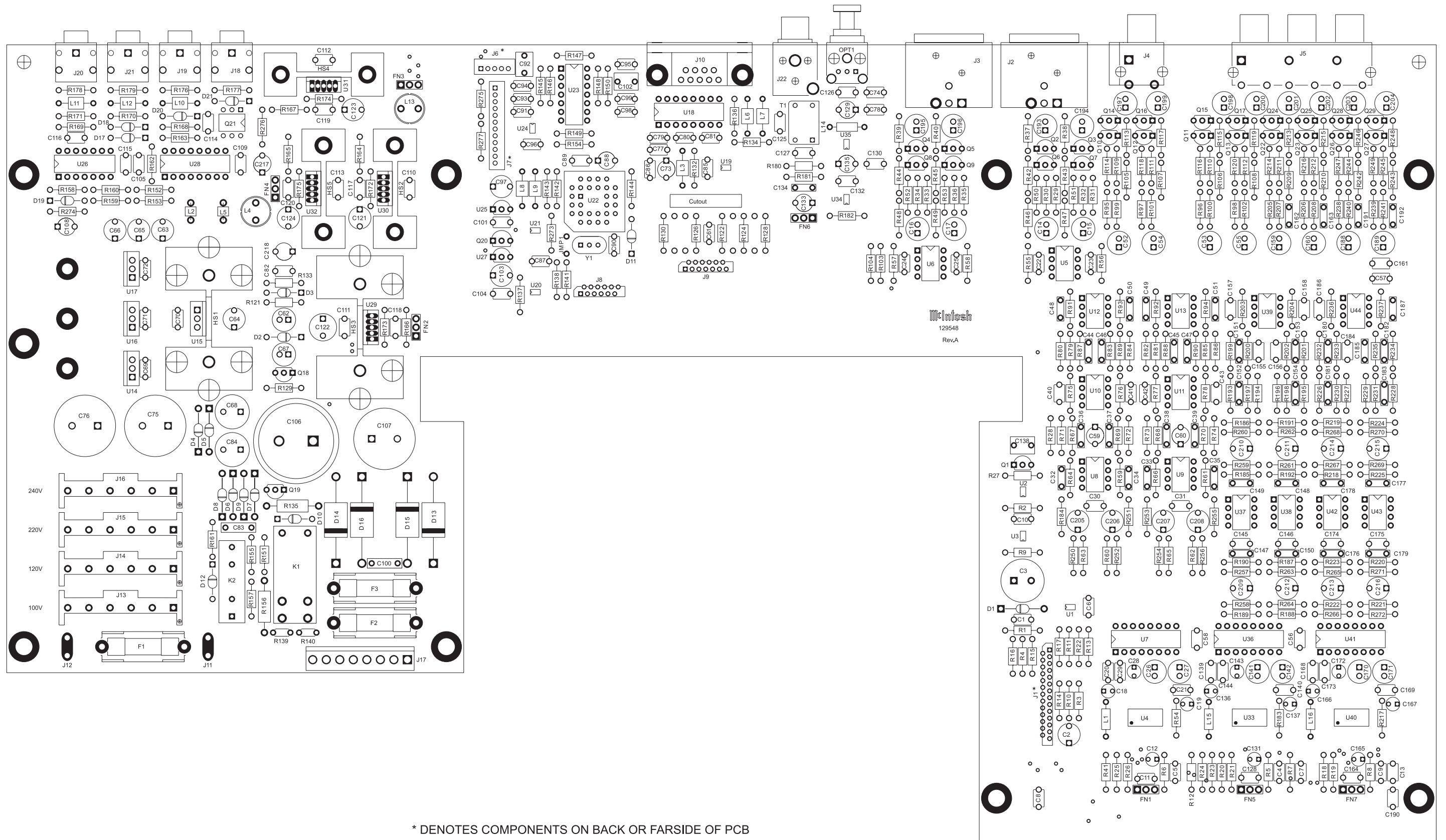


2 MAIN 050114 SH 2 OF 2

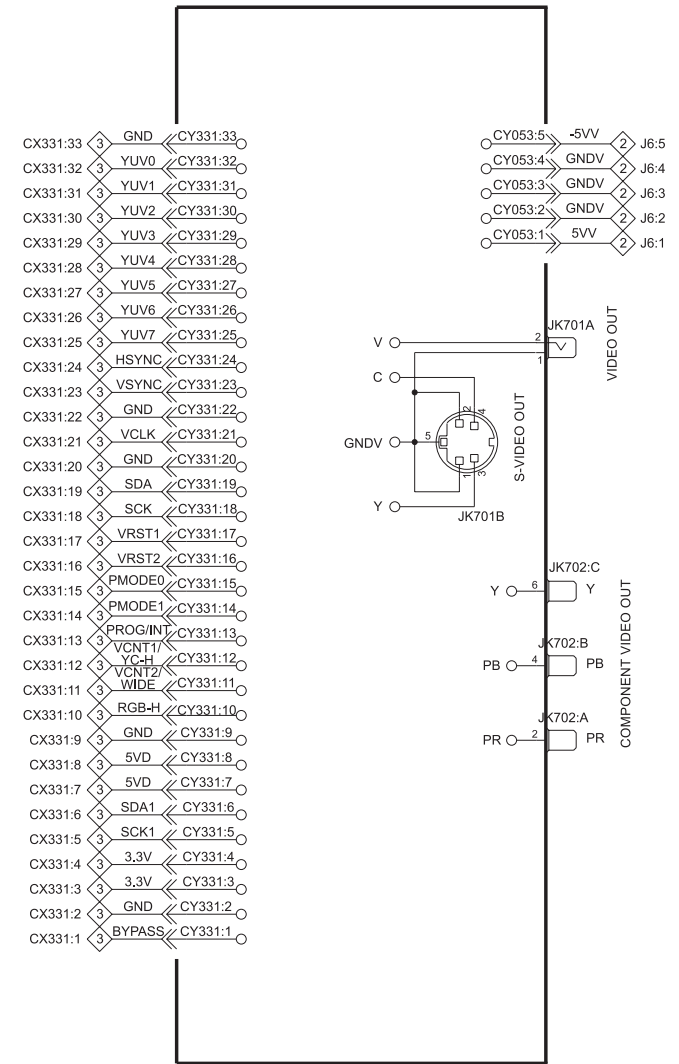
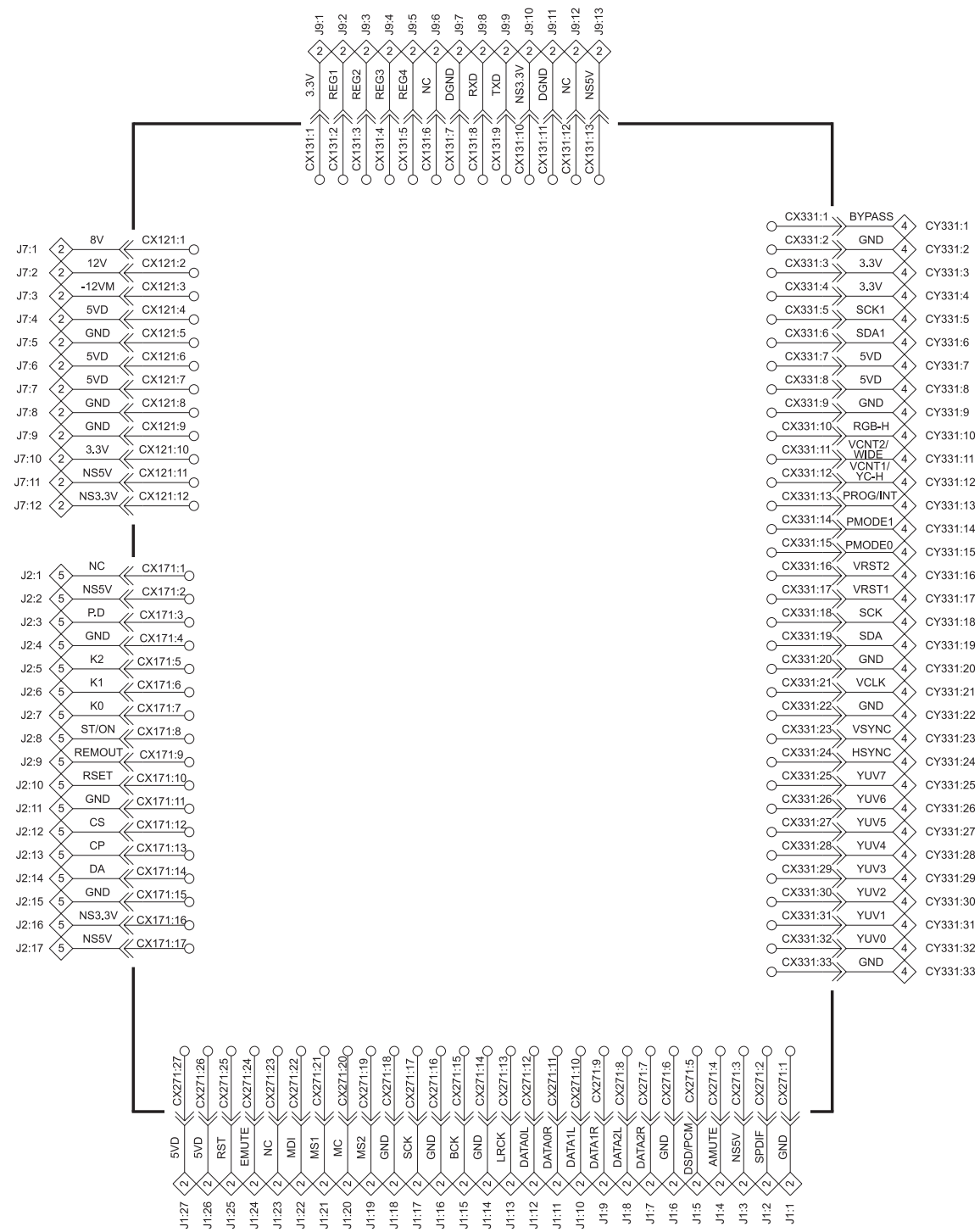




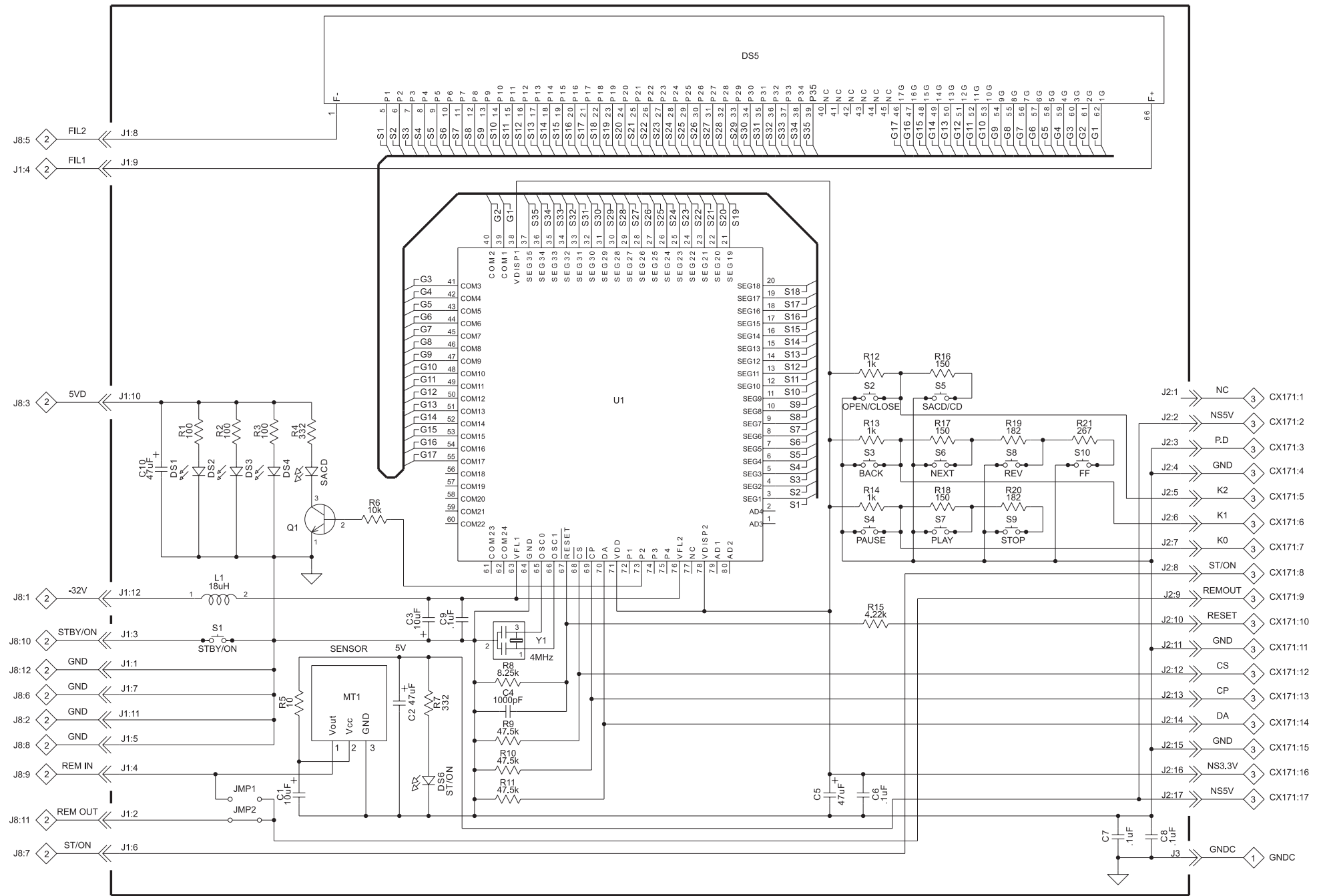
2 MAIN 050114



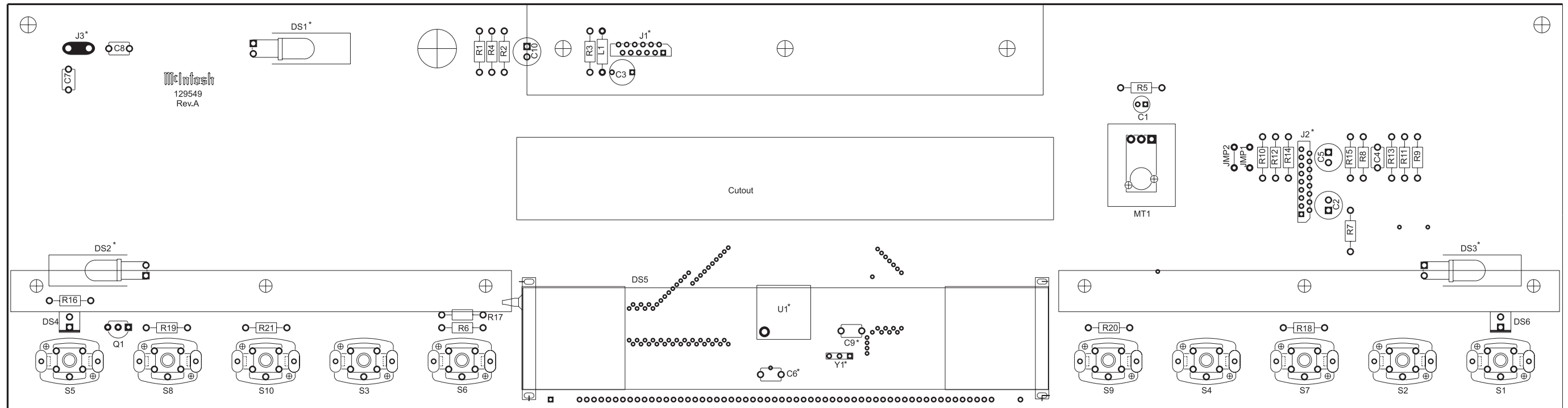
* DENOTES COMPONENTS ON BACK OR FARSIDE OF PCB



5 DISPLAY 050115



5 DISPLAY 050115



* DENOTES COMPONENTS ON BACK OR FAR SIDE OF PCB.

PARTS LIST

| Ref. No. | Description | Part No. | | | | | | |
|------------------------|------------------------------|----------|-----|-----------------------------|--------|-----|-----------------------------|--------|
| MAIN PCB 050114 | | | | | | | | |
| C1 | CAP MONO 33PF 200V 5%NPO T&R | 061307 | C30 | CAP MONO 100PF 100V 10% NPO | 061300 | C61 | CAP MONO .1uF 50V 20% Z5U | 061305 |
| C2 | CAP ELECT 220UF 25V | 066507 | C31 | CAP MONO 100PF 100V 10% NPO | 061300 | C62 | CAP ELECT 47UF 50V | 066215 |
| C3 | CAP ELECT 220UF 25V 20% | 066441 | C32 | CAP MPF 0.0022UF 5% 63VDC | 064304 | C63 | CAP ELECT 220UF 25V | 066507 |
| C4 | CAP MONO 100PF 100V 10% NPO | 061300 | C33 | CAP MPF 0.0022UF 5% 63VDC | 064304 | C64 | CAP ELECT 220UF 25V | 066507 |
| C5 | CAP MONO 100PF 100V 10% NPO | 061300 | C34 | CAP MPF 0.0022UF 5% 63VDC | 064304 | C65 | CAP ELECT 220UF 25V | 066507 |
| C6 | CAP MONO .1uF 50V 20% Z5U | 061305 | C35 | CAP MPF 0.0022UF 5% 63VDC | 064304 | C66 | CAP ELECT 220UF 25V | 066507 |
| C7 | CAP MONO 100PF 100V 10% NPO | 061300 | C36 | CAP MPF 0.0022UF 5% 63VDC | 064304 | C67 | CAP ELECT 47UF 50V | 066215 |
| C8 | CAP MONO .1uF 50V 20% Z5U | 061305 | C37 | CAP MPF 0.0022UF 5% 63VDC | 064304 | C68 | CAP ELECT 220UF 50V 20% | 066254 |
| C9 | CAP MONO 100PF 100V 10% NPO | 061300 | C38 | CAP MPF 0.0022UF 5% 63VDC | 064304 | C69 | CAP MONO .1uF 50V 20% Z5U | 061305 |
| C10 | CAP MONO .1uF 50V 20% Z5U | 061305 | C39 | CAP MPF 0.0022UF 5% 63VDC | 064304 | C70 | CAP MONO .1uF 50V 20% Z5U | 061305 |
| C11 | CAP MONO .1uF 50V 20% Z5U | 061305 | C40 | CAP MONO 220PF 100V 10% NPO | 061301 | C71 | CAP MONO .1uF 50V 20% Z5U | 061305 |
| C12 | CAP ELECT 10UF 16V | 066555 | C41 | CAP MONO 220PF 100V 10% NPO | 061301 | C72 | CAP MONO .1uF 50V 20% Z5U | 061305 |
| C13 | CAP MONO .1uF 50V 20% Z5U | 061305 | C42 | CAP MONO 220PF 100V 10% NPO | 061301 | C73 | CAP ELECT 47UF 35V | 066446 |
| C14 | CAP ELECT 47UF 16V | 066380 | C43 | CAP MONO 220PF 100V 10% NPO | 061301 | C74 | CAP MONO .1uF 50V 20% Z5U | 061305 |
| C15 | CAP ELECT 47UF 16V | 066380 | C44 | CAP PF 0.001UF 5% 63VDC | 064300 | C75 | CAP ELECT 330UF 35V | 066509 |
| C16 | CAP ELECT 47UF 16V | 066380 | C45 | CAP PF 0.001UF 5% 63VDC | 064300 | C76 | CAP ELECT 330UF 35V | 066509 |
| C17 | CAP ELECT 47UF 16V | 066380 | C46 | CAP PF 0.001UF 5% 63VDC | 064300 | C77 | CAP MONO .1uF 50V 20% Z5U | 061305 |
| C18 | CAP ELECT 10UF 16V | 066555 | C47 | CAP PF 0.001UF 5% 63VDC | 064300 | C78 | CAP MONO .1uF 50V 20% Z5U | 061305 |
| C19 | CAP ELECT 10UF 16V | 066555 | C48 | CAP PF 0.001UF 5% 63VDC | 064300 | C79 | CAP MONO .1uF 50V 20% Z5U | 061305 |
| C20 | CAP MONO .1uF 50V 20% Z5U | 061305 | C49 | CAP PF 0.001UF 5% 63VDC | 064300 | C80 | CAP MONO .1uF 50V 20% Z5U | 061305 |
| C21 | CAP MONO .1uF 50V 20% Z5U | 061305 | C50 | CAP PF 0.001UF 5% 63VDC | 064300 | C81 | CAP MONO .1uF 50V 20% Z5U | 061305 |
| C22 | CAP MONO 560PF 200V 5% | 061308 | C51 | CAP PF 0.001UF 5% 63VDC | 064300 | C82 | CAP MONO .1uF 50V 20% Z5U | 061305 |
| C23 | CAP MONO 560PF 200V 5% | 061308 | C52 | CAP ELECT 47UF 16V | 066380 | C83 | CAP MPF 0.033UF 100V 10% | 064427 |
| C24 | CAP MONO 560PF 200V 5% | 061308 | C53 | CAP ELECT 47UF 16V | 066380 | C84 | CAP ELECT 220UF 50V 20% | 066254 |
| C25 | CAP MONO 560PF 200V 5% | 061308 | C54 | CAP ELECT 47UF 16V | 066380 | C85 | CAP MONO .1uF 50V 20% Z5U | 061305 |
| C26 | CAP ELECT 47UF 16V | 066380 | C55 | CAP ELECT 47UF 16V | 066380 | C86 | CAP MONO .1uF 50V 20% Z5U | 061305 |
| C27 | CAP ELECT 47UF 16V | 066380 | C56 | CAP MONO .1uF 50V 20% Z5U | 061305 | C87 | CAP MONO .1uF 50V 20% Z5U | 061305 |
| C28 | CAP ELECT 10UF 16V | 066555 | C57 | CAP MONO .1uF 50V 20% Z5U | 061305 | C88 | CAP ELECT 47UF 35V | 066446 |
| C29 | CAP MONO .1uF 50V 20% Z5U | 061305 | C58 | CAP MONO .1uF 50V 20% Z5U | 061305 | C89 | CAP MONO .1uF 50V 20% Z5U | 061305 |
| | | | C59 | CAP ELECT 10UF 50V | 066445 | C90 | CAP MONO .01UF 50V 20% X7R | 061304 |
| | | | C60 | CAP ELECT 10UF 50V | 066445 | C91 | CAP MONO 1000PF 50V 10% NPO | 061303 |

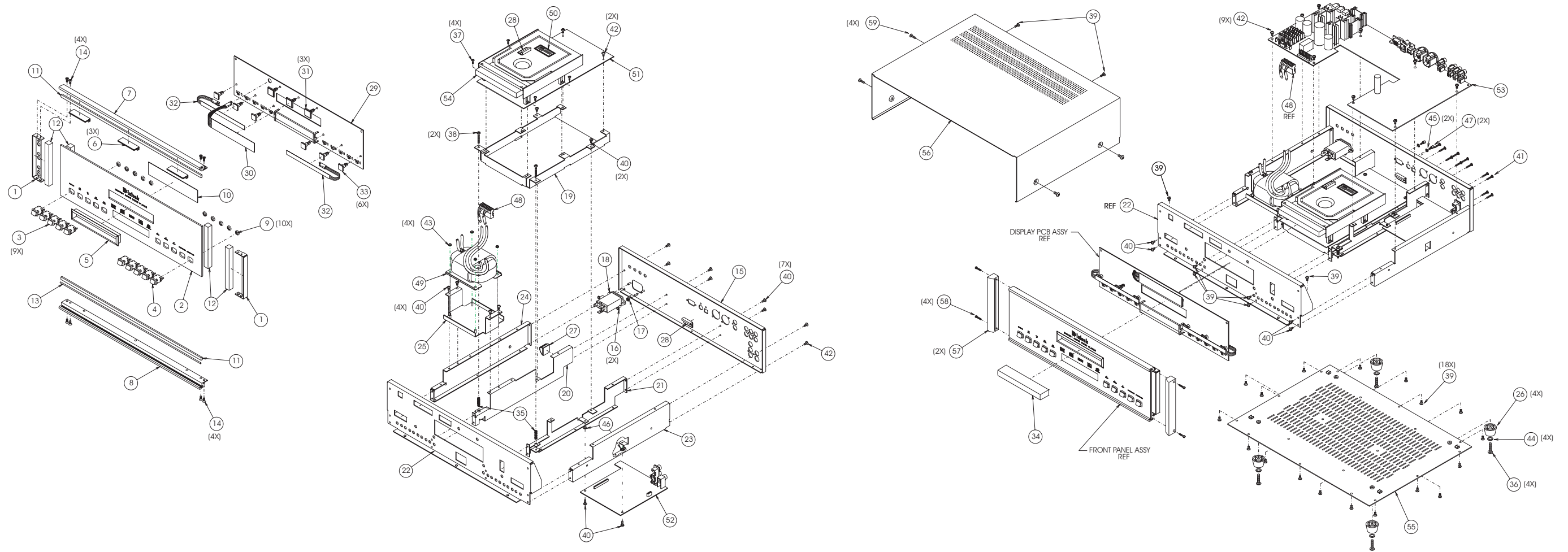
PARTS LIST con't

| | | | | | | | | |
|------|-----------------------------|--------|------|-----------------------------|--------|-------|--------------------------------|--------|
| C92 | CAP MPF 1UF 5% 63VDC | 064337 | C160 | CAP ELECT 47UF 16V | 066380 | D12 | DIODE SILICON | 070047 |
| C93 | CAP MONO .1uF 50V 20% Z5U | 061305 | C161 | CAP MONO .1uF 50V 20% Z5U | 061305 | D13 | SCHOTTKY RECTIFIER 5A 100V | 070171 |
| C94 | CAP MONO 1000PF 50V 10% NPO | 061303 | C162 | CAP MPF 0.0068UF 5% 63VDC | 064310 | D14 | SCHOTTKY RECTIFIER 5A 100V | 070171 |
| C95 | CAP MONO .1uF 50V 20% Z5U | 061305 | C163 | CAP MPF 0.0068UF 5% 63VDC | 064310 | D15 | SCHOTTKY RECTIFIER 5A 100V | 070171 |
| C96 | CAP MONO .1uF 50V 20% Z5U | 061305 | C164 | CAP MONO .1uF 50V 20% Z5U | 061305 | D16 | SCHOTTKY RECTIFIER 5A 100V | 070171 |
| C97 | CAP ELECT 100UF 25V | 066447 | C165 | CAP ELECT 10UF 16V | 066555 | D17 | DIODE SILICON | 070047 |
| C98 | CAP MONO .1uF 50V 20% Z5U | 061305 | C166 | CAP ELECT 10UF 16V | 066555 | D18 | DIODE SILICON | 070047 |
| C99 | CAP MONO 1000PF 50V 10% NPO | 061303 | C167 | CAP ELECT 10UF 16V | 066555 | D19 | DIODE SILICON | 070047 |
| C100 | CAP MPF 0.033UF 100V 10% | 064427 | C168 | CAP MONO .1uF 50V 20% Z5U | 061305 | D20 | DIODE SILICON | 070047 |
| C101 | CAP MONO .1uF 50V 20% Z5U | 061305 | C169 | CAP MONO .1uF 50V 20% Z5U | 061305 | D21 | DIODE SILICON | 070047 |
| C102 | CAP MPF 1UF 5% 63VDC | 064337 | C170 | CAP ELECT 47UF 16V | 066380 | F1 | FUSE 1A 250V SB 5X20 ULCSA IEC | 089107 |
| C103 | CAP ELECT 100UF 25V | 066447 | C171 | CAP ELECT 47UF 16V | 066380 | F2 | FUSE 2A 250V SLO-BLO 5X20 IEC | 089088 |
| C104 | CAP MONO .1uF 50V 20% Z5U | 061305 | C172 | CAP ELECT 10UF 16V | 066555 | F3 | FUSE 2A 250V SLO-BLO 5X20 IEC | 089088 |
| C105 | CAP MONO 100PF 100V 10% NPO | 061300 | C173 | CAP MONO .1uF 50V 20% Z5U | 061305 | FN1 | FILTER EMI | 180057 |
| C106 | CAP ELECT 22000UF 16V 20% | 066552 | C174 | CAP MONO 100PF 100V 10% NPO | 061300 | FN2 | FILTER EMI | 180057 |
| C107 | CAP ELECT 3300UF 35V | 066509 | C175 | CAP MONO 100PF 100V 10% NPO | 061300 | FN3 | FILTER EMI | 180057 |
| C108 | CAP ELECT 47UF 35V | 066446 | C176 | CAP MPF 0.0022UF 5% 63VDC | 064304 | FN4 | FILTER EMI | 180057 |
| C109 | CAP MONO .1uF 50V 20% Z5U | 061305 | C177 | CAP MPF 0.0022UF 5% 63VDC | 064304 | FN5 | FILTER EMI | 180057 |
| C110 | CAP MONO .1uF 50V 20% Z5U | 061305 | C178 | CAP MPF 0.0022UF 5% 63VDC | 064304 | FN6 | FILTER EMI | 180057 |
| C111 | CAP MONO .1uF 50V 20% Z5U | 061305 | C179 | CAP MPF 0.0022UF 5% 63VDC | 064304 | FN7 | FILTER EMI | 180057 |
| C112 | CAP MONO .1uF 50V 20% Z5U | 061305 | C180 | CAP MPF 0.0047UF 5% 63VDC | 064308 | HS1 | HEATSINK TO-220 | 080017 |
| C113 | CAP MONO .1uF 50V 20% Z5U | 061305 | C181 | CAP MPF 0.0047UF 5% 63VDC | 064308 | HS2 | HEATSINK TO220 | 080019 |
| C114 | CAP MONO .1uF 50V 20% Z5U | 061305 | C182 | CAP MPF 0.015UF 5% 63VDC | 064314 | HS3 | HEATSINK TO-220 | 080017 |
| C115 | CAP MONO .1uF 50V 20% Z5U | 061305 | C183 | CAP MPF 0.015UF 5% 63VDC | 064314 | HS4 | HEATSINK TO220 | 080019 |
| C116 | CAP MONO .01UF 50V 20% X7R | 061304 | C184 | CAP MONO 470PF 100V 10% | 061302 | HS5 | HEATSINK TO220 | 080019 |
| C117 | CAP MONO 100PF 100V 10% NPO | 061300 | C185 | CAP PF 680PF 5% 160VDC | 064298 | J1 | FFC CONNECTOR 27PIN | 117854 |
| C118 | CAP MONO 100PF 100V 10% NPO | 061300 | C186 | CAP MONO 470PF 100V 10% | 061302 | J2 | RECEPTACLE XLR MALE | 117686 |
| C119 | CAP MONO 100PF 100V 10% NPO | 061300 | C187 | CAP PF 680PF 5% 160VDC | 064298 | J3 | RECEPTACLE XLR MALE | 117686 |
| C120 | CAP MONO 100PF 100V 10% NPO | 061300 | C188 | CAP ELECT 47UF 16V | 066380 | J4 | JACK RCA 1X2 WHT/RED 14MM | 117788 |
| C121 | CAP ELECT 220UF 25V | 066507 | C189 | CAP ELECT 47UF 16V | 066380 | J5 | JACK RCA 3X2 WHT/RED 14MM | 117790 |
| C122 | CAP ELECT 470UF 16V | 066508 | C190 | CAP MONO .1uF 50V 20% Z5U | 061305 | J6 | SHROUDED HEADER 5 PIN | 117852 |
| C123 | CAP ELECT 220UF 25V | 066507 | C191 | CAP MPF 0.0068UF 5% 63VDC | 064310 | J7 | 12 PIN SHROUDED HEADER | 117796 |
| C124 | CAP ELECT 220UF 25V | 066507 | C192 | CAP MPF 0.0022UF 5% 63VDC | 064316 | J8 | CONN 12 PIN FFC | 117720 |
| C125 | CAP MONO .1uF 50V 20% Z5U | 061305 | C193 | CAP ELECT 47UF 16V | 066380 | J9 | CONN 13 PIN FFC | 117861 |
| C126 | CAP MONO .1uF 50V 20% Z5U | 061305 | C194 | CAP ELECT 47UF 16V | 066380 | J10 | CONN SUB-D 9 PIN | 117507 |
| C127 | CAP MONO 150pF 200V 5% | 061310 | C195 | CAP ELECT 47UF 16V | 066380 | J11 | BLADE FASTON W/FEET | 117708 |
| C128 | CAP MONO .1uF 50V 20% Z5U | 061305 | C196 | CAP ELECT 47UF 16V | 066380 | J12 | BLADE FASTON W/FEET | 117708 |
| C129 | CAP ELECT 47UF 35V | 066446 | C197 | CAP ELECT 47UF 16V | 066380 | J13 | CONN PCB MOUNT POWER RED | 117719 |
| C130 | CAP MONO .1uF 50V 20% Z5U | 061305 | C198 | CAP ELECT 47UF 16V | 066380 | J14 | CONN PCB MOUNT POWER RED | 117719 |
| C131 | CAP ELECT 10UF 16V | 066555 | C199 | CAP ELECT 47UF 16V | 066380 | J15 | CONN PCB MOUNT POWER RED | 117719 |
| C132 | CAP MONO .1uF 50V 20% Z5U | 061305 | C200 | CAP ELECT 47UF 16V | 066380 | J16 | CONN PCB MOUNT POWER RED | 117719 |
| C133 | CAP ELECT 10UF 50V | 066445 | C201 | CAP ELECT 47UF 16V | 066380 | J17 | HEADER 8 PIN MTA-156 | 117717 |
| C134 | CAP MPF 0.1UF 5% 63VDC | 064325 | C202 | CAP ELECT 47UF 16V | 066380 | J18 | JACK HEADPHONE STEREO 1/8IN | 117759 |
| C135 | CAP ELECT 47UF 35V | 066446 | C203 | CAP ELECT 47UF 16V | 066380 | J19 | JACK HEADPHONE STEREO 1/8IN | 117759 |
| C136 | CAP ELECT 10UF 16V | 066555 | C204 | CAP ELECT 47UF 16V | 066380 | J20 | JACK HEADPHONE STEREO 1/8IN | 117759 |
| C137 | CAP ELECT 10UF 16V | 066555 | C205 | CAP ELECT 220UF 25V | 066507 | J21 | JACK HEADPHONE STEREO 1/8IN | 117759 |
| C138 | CAP MPF 1UF 5% 63VDC | 064337 | C206 | CAP ELECT 220UF 25V | 066507 | J22 | JACK RCA ORANGE WITH GOLD | 117798 |
| C139 | CAP MONO .1uF 50V 20% Z5U | 061305 | C207 | CAP ELECT 220UF 25V | 066507 | K1 | RELAY 5V DPST | 087074 |
| C140 | CAP MONO .1uF 50V 20% Z5U | 061305 | C208 | CAP ELECT 220UF 25V | 066507 | K2 | RELAY REED FORM 1A 5V 500 OHMS | 087050 |
| C141 | CAP ELECT 47UF 16V | 066380 | C209 | CAP ELECT 220UF 25V | 066507 | L1 | CHOKE 18UH 5%-10% | 122224 |
| C142 | CAP ELECT 47UF 16V | 066380 | C210 | CAP ELECT 220UF 25V | 066507 | L2 | INDUCTOR 100UH POWER | 122312 |
| C143 | CAP ELECT 10UF 16V | 066555 | C211 | CAP ELECT 220UF 25V | 066507 | L3 | BEADS FERRITE LEADED | 076019 |
| C144 | CAP MONO .1uF 50V 20% Z5U | 061305 | C212 | CAP ELECT 220UF 25V | 066507 | L4 | INDUCTOR 100UH POWER | 122312 |
| C145 | CAP MONO 100PF 100V 10% NPO | 061300 | C213 | CAP ELECT 220UF 25V | 066507 | L5 | INDUCTOR 100UH POWER | 122312 |
| C146 | CAP MONO 100PF 100V 10% NPO | 061300 | C214 | CAP ELECT 220UF 25V | 066507 | L6 | BEADS FERRITE LEADED | 076019 |
| C147 | CAP MPF 0.0022UF 5% 63VDC | 064304 | C215 | CAP ELECT 220UF 25V | 066507 | L7 | BEADS FERRITE LEADED | 076019 |
| C148 | CAP MPF 0.0022UF 5% 63VDC | 064304 | C216 | CAP ELECT 220UF 25V | 066507 | L8 | BEADS FERRITE LEADED | 076019 |
| C149 | CAP MPF 0.0022UF 5% 63VDC | 064304 | C217 | CAP ELECT 4.7UF 50V | 066512 | L9 | BEADS FERRITE LEADED | 076019 |
| C150 | CAP MPF 0.0022UF 5% 63VDC | 064304 | C218 | CAP ELECT 10UF 50V | 066445 | L10 | FERRITE | 076019 |
| C151 | CAP MPF 0.0047UF 5% 63VDC | 064308 | D1 | DIODE RECTIFIER | 070131 | L11 | FERRITE | 076019 |
| C152 | CAP MPF 0.0047UF 5% 63VDC | 064308 | D2 | DIODE ZENER 33V 5% 1/2W | 070121 | L12 | FERRITE | 076019 |
| C153 | CAP MPF 0.0047UF 5% 63VDC | 064308 | D3 | DIODE SENER 6.2V 5% 500MW | 070085 | L13 | INDUCTOR 100UH POWER | 122312 |
| C154 | CAP MPF 0.0047UF 5% 63VDC | 064308 | D4 | DIODE RECTIFIER | 070131 | L14 | CHOKE 18UH 5%-10% | 122224 |
| C155 | CAP MONO 470PF 100V 10% | 061302 | D5 | DIODE RECTIFIER | 070131 | L15 | CHOKE 18UH 5%-10% | 122224 |
| C156 | CAP MONO 470PF 100V 10% | 061302 | D6 | DIODE RECTIFIER | 070131 | L16 | CHOKE 18UH 5%-10% | 122224 |
| C157 | CAP MONO 470PF 100V 10% | 061302 | D7 | DIODE RECTIFIER | 070131 | OPT 1 | TRANSMITTER FIBER OPTIC | 058157 |
| C158 | CAP MONO 470PF 100V 10% | 061302 | D8 | DIODE RECTIFIER | 070131 | Q1 | TRANSISTOR PNP | 132224 |
| C159 | CAP ELECT 47UF 16V | 066380 | D9 | DIODE RECTIFIER | 070131 | Q2 | TRANSISTOR SI NPN 25V | 132257 |
| | | | D10 | DIODE SILICON | 070047 | Q3 | TRANSISTOR SI NPN 25V | 132257 |
| | | | D11 | DIODE SILICON | 070047 | Q4 | TRANSISTOR SI NPN 25V | 132257 |

PARTS LIST con't

| | | | | | | | | |
|-----|--------------------------------|--------|------|------------------------|--------|------|-------------------------|--------|
| Q5 | TRANSISTOR SI NPN 25V | 132257 | R44 | RES MF 150 OHM 1% 1/4W | 144122 | R114 | RES MF 6.49K .5% 1/4W | 144401 |
| Q6 | TRANSISTOR SI NPN 25V | 132257 | R45 | RES MF 150 OHM 1% 1/4W | 144122 | R115 | RES MF 100 OHM 1% 1/4W | 144196 |
| Q7 | TRANSISTOR SI NPN 25V | 132257 | R46 | RES MF 332 OHM 1% 1/4W | 144446 | R116 | RES MF 6.49K .5% 1/4W | 144401 |
| Q8 | TRANSISTOR SI NPN 25V | 132257 | R47 | RES MF 332 OHM 1% 1/4W | 144446 | R117 | RES MF 100 OHM 1% 1/4W | 144196 |
| Q9 | TRANSISTOR SI NPN 25V | 132257 | R48 | RES MF 332 OHM 1% 1/4W | 144446 | R118 | RES MF 6.49K .5% 1/4W | 144401 |
| Q10 | TRANSISTOR SI NPN 25V | 132257 | R49 | RES MF 332 OHM 1% 1/4W | 144446 | R119 | RES MF 100 OHM 1% 1/4W | 144196 |
| Q11 | TRANSISTOR SI NPN 25V | 132257 | R50 | RES MF 47.5K 1% 1/4W | 144108 | R120 | RES MF 6.49K .5% 1/4W | 144401 |
| Q12 | TRANSISTOR SI NPN 25V | 132257 | R51 | RES MF 47.5K 1% 1/4W | 144108 | R121 | RES MF 10K 1% 1/4W | 144053 |
| Q13 | TRANSISTOR SI NPN 25V | 132257 | R52 | RES MF 47.5K 1% 1/4W | 144108 | R122 | RES MF 47.5K 1% 1/4W | 144108 |
| Q14 | TRANSISTOR SI NPN 25V | 132257 | R53 | RES MF 47.5K 1% 1/4W | 144108 | R123 | RES MF 47.5K 1% 1/4W | 144108 |
| Q15 | TRANSISTOR SI NPN 25V | 132257 | R54 | RES MF 10K 1% 1/4W | 144053 | R124 | RES MF 47.5K 1% 1/4W | 144108 |
| Q16 | TRANSISTOR SI NPN 25V | 132257 | R55 | RES MF 2.94K 1% 1/4W | 144495 | R125 | RES MF 47.5K 1% 1/4W | 144108 |
| Q17 | TRANSISTOR SI NPN 25V | 132257 | R56 | RES MF 2.94K 1% 1/4W | 144495 | R126 | RES MF 47.5K 1% 1/4W | 144108 |
| Q18 | TRANSISTOR PNP SILICON | 132172 | R57 | RES MF 2.94K 1% 1/4W | 144495 | R127 | RES MF 47.5K 1% 1/4W | 144108 |
| Q19 | TRANSISTOR NPN SILICON | 132171 | R58 | RES MF 2.94K 1% 1/4W | 144495 | R128 | RES MF 47.5K 1% 1/4W | 144108 |
| Q20 | TRANSISTOR PNP | 132263 | R59 | RES MF 365 OHM 1/4W | 144071 | R129 | RES MF 10K 1% 1/4W | 144053 |
| Q21 | COUPLER OPTICAL SCHMITT OUTPUT | 131023 | R60 | RES MF 182 OHM 1/4W 1% | 144273 | R130 | RES MF 47.5K 1% 1/4W | 144108 |
| Q22 | TRANSISTOR SI NPN 25V | 132257 | R61 | RES MF 365 OHM 1/4W | 144071 | R131 | RES MF 47.5K 1% 1/4W | 144108 |
| Q23 | TRANSISTOR SI NPN 25V | 132257 | R62 | RES MF 182 OHM 1/4W 1% | 144273 | R132 | RES MF 47.5K 1% 1/4W | 144108 |
| Q24 | TRANSISTOR SI NPN 25V | 132257 | R63 | RES MF 182 OHM 1/4W 1% | 144273 | R133 | RES MF 10K 1% 1/4W | 144053 |
| Q25 | TRANSISTOR SI NPN 25V | 132257 | R64 | RES MF 365 OHM 1/4W | 144071 | R134 | RES MF 3.32K 1% 1/4W | 144095 |
| Q26 | TRANSISTOR SI NPN 25V | 132257 | R65 | RES MF 182 OHM 1/4W 1% | 144273 | R135 | RN 1/2 T1 15 OHM 1% | 144161 |
| Q27 | TRANSISTOR SI NPN 25V | 132257 | R66 | RES MF 365 OHM 1/4W | 144071 | R136 | RES MF 2.21K 1% 1/4W | 144298 |
| Q28 | TRANSISTOR SI NPN 25V | 132257 | R67 | RES MF 2.1K 1% 1/4W | 144299 | R137 | RES MF 2K 1/4W | 144094 |
| Q29 | TRANSISTOR SI NPN 25V | 132257 | R68 | RES MF 2.1K 1% 1/4W | 144299 | R138 | RES MF 10K 1% 1/4W | 144053 |
| R1 | RES MF 150 OHM 1% 1/4W | 144122 | R69 | RES MF 2.1K 1% 1/4W | 144299 | R139 | PTC RESETTABLE FUSE | 144488 |
| R2 | RES MF 10K 1% 1/4W | 144053 | R70 | RES MF 2.1K 1% 1/4W | 144299 | R140 | PTC RESETTABLE FUSE | 144488 |
| R3 | RES MF 47.5K 1% 1/4W | 144108 | R71 | RES MF 2.67K 1% 1/4W | 144121 | R141 | RES MF 56.2K 1% 1/4W | 144402 |
| R4 | RES MF 47.5K 1% 1/4W | 144108 | R72 | RES MF 2.67K 1% 1/4W | 144121 | R142 | RES MF 10K 1% 1/4W | 144053 |
| R5 | RES MF 100 OHM 1% 1/4W | 144196 | R73 | RES MF 2.67K 1% 1/4W | 144121 | R143 | RES MF 10K 1% 1/4W | 144053 |
| R6 | RES MF 100 OHM 1% 1/4W | 144196 | R74 | RES MF 2.67K 1% 1/4W | 144121 | R144 | RES MF 10K 1% 1/4W | 144053 |
| R7 | RES MF 100 OHM 1% 1/4W | 144196 | R75 | RES MF 2.1K 1% 1/4W | 144299 | R145 | RES MF 47.5K 1% 1/4W | 144108 |
| R8 | RES MF 100 OHM 1% 1/4W | 144196 | R76 | RES MF 2.1K 1% 1/4W | 144299 | R146 | RES MF 47.5K 1% 1/4W | 144108 |
| R9 | RES MF 10K 1% 1/4W | 144053 | R77 | RES MF 2.1K 1% 1/4W | 144299 | R147 | RES MF 4.75M 1% 1/4W | 144379 |
| R10 | RES MF 47.5K 1% 1/4W | 144108 | R78 | RES MF 2.1K 1% 1/4W | 144299 | R148 | RES MF 100K 1% 1/4W | 144113 |
| R11 | RES MF 47.5K 1% 1/4W | 144108 | R79 | RES MF 3.32K 1% 1/4W | 144095 | R149 | RES MF 47.5K 1% 1/4W | 144108 |
| R12 | RES MF 47.5 OHM 1% 1/4W | 144442 | R80 | RES MF 3.32K 1% 1/4W | 144095 | R150 | RES MF 2.74M 1/4W | 144271 |
| R13 | RES MF 10K 1% 1/4W | 144053 | R81 | RES MF 3.32K 1% 1/4W | 144095 | R151 | RES MF 475 OHM 1% 1/4W | 144086 |
| R14 | RES MF 47.5K 1% 1/4W | 144108 | R82 | RES MF 3.32K 1% 1/4W | 144095 | R152 | RES MF 2.21K 1% 1/4W | 144298 |
| R15 | RES MF 47.5K 1% 1/4W | 144108 | R83 | RES MF 3.32K 1% 1/4W | 144095 | R153 | RES MF 3.32K 1% 1/4W | 144095 |
| R16 | RES MF 47.5K 1% 1/4W | 144108 | R84 | RES MF 3.32K 1% 1/4W | 144095 | R154 | RES MF 1.5K 1% 1/4W | 144128 |
| R17 | RES MF 47.5K 1% 1/4W | 144108 | R85 | RES MF 3.32K 1% 1/4W | 144095 | R155 | RES MF 475 OHM 1% 1/4W | 144086 |
| R18 | RES MF 47.5 OHM 1% 1/4W | 144442 | R86 | RES MF 3.32K 1% 1/4W | 144095 | R156 | RN 1/2 T1 15 OHM 1% | 144161 |
| R19 | RES MF 47.5 OHM 1% 1/4W | 144442 | R87 | RES MF 1.65K 1% 1/4W | 144093 | R157 | RES MF 475 OHM 1% 1/4W | 144086 |
| R20 | RES MF 47.5 OHM 1% 1/4W | 144442 | R88 | RES MF 1.65K 1% 1/4W | 144093 | R158 | RES MF 47.5K 1% 1/4W | 144108 |
| R21 | RES MF 47.5 OHM 1% 1/4W | 144442 | R89 | RES MF 1.65K 1% 1/4W | 144093 | R159 | RES MF 3.32K 1% 1/4W | 144095 |
| R22 | RES MF 47.5K 1% 1/4W | 144108 | R90 | RES MF 1.65K 1% 1/4W | 144093 | R160 | RES MF 2.21K 1% 1/4W | 144298 |
| R23 | RES MF 47.5 OHM 1% 1/4W | 144442 | R91 | RES MF 1.65K 1% 1/4W | 144093 | R161 | RES MF 47.5 OHM 1% 1/4W | 144442 |
| R24 | RES MF 47.5 OHM 1% 1/4W | 144442 | R92 | RES MF 1.65K 1% 1/4W | 144093 | R162 | RES MF 475K 1% 1/4W | 144364 |
| R25 | RES MF 47.5 OHM 1% 1/4W | 144442 | R93 | RES MF 1.65K 1% 1/4W | 144093 | R163 | RES MF 47.5K 1% 1/4W | 144108 |
| R26 | RES MF 47.5 OHM 1% 1/4W | 144442 | R94 | RES MF 1.65K 1% 1/4W | 144093 | R164 | RES MF 56.2K 1% 1/4W | 144402 |
| R27 | RES MF 10K 1% 1/4W | 144053 | R95 | RES MF 47.5K 1% 1/4W | 144108 | R165 | RES MF 54.9K 1% 1/4W | 144139 |
| R28 | RES MF 47.5K 1% 1/4W | 144108 | R96 | RES MF 47.5K 1% 1/4W | 144108 | R166 | RES MF 61.9K OHM 1/4W | 144335 |
| R29 | RES MF 6.49K .5% 1/4W | 144401 | R97 | RES MF 47.5K 1% 1/4W | 144108 | R167 | RES MF 61.9K OHM 1/4W | 144335 |
| R30 | RES MF 6.49K .5% 1/4W | 144401 | R98 | RES MF 47.5K 1% 1/4W | 144108 | R168 | RES MF 1K 1% 1/4W | 144090 |
| R31 | RES MF 6.49K .5% 1/4W | 144401 | R99 | RES MF 332 OHM 1% 1/4W | 144446 | R169 | RES MF 22.1K 1% 1/4W | 144187 |
| R32 | RES MF 6.49K .5% 1/4W | 144401 | R100 | RES MF 332 OHM 1% 1/4W | 144446 | R170 | RES MF 562 OHM 1% 1/4W | 144408 |
| R33 | RES MF 6.49K .5% 1/4W | 144401 | R101 | RES MF 332 OHM 1% 1/4W | 144446 | R171 | RES MF 22.1K 1% 1/4W | 144187 |
| R34 | RES MF 6.49K .5% 1/4W | 144401 | R102 | RES MF 332 OHM 1% 1/4W | 144446 | R172 | RES MF 95.3K 1% 1/4W | 144127 |
| R35 | RES MF 6.49K .5% 1/4W | 144401 | R103 | RES MF 5.62OHM 1/4W | 144168 | R173 | RES MF 187K 1% 1/4W | 144406 |
| R36 | RES MF 6.49K .5% 1/4W | 144401 | R104 | RES MF 5.62OHM 1/4W | 144168 | R174 | RES MF 332K 1% 1/4W | 144119 |
| R37 | RES MF 100 OHM 1% 1/4W | 144196 | R105 | RES MF 150 OHM 1% 1/4W | 144122 | R175 | RES MF 475K 1% 1/4W | 144364 |
| R38 | RES MF 100 OHM 1% 1/4W | 144196 | R106 | RES MF 150 OHM 1% 1/4W | 144122 | R176 | RES MF 47.5 OHM 1% 1/4W | 144442 |
| R39 | RES MF 100 OHM 1% 1/4W | 144196 | R107 | RES MF 150 OHM 1% 1/4W | 144122 | R177 | RES MF 1.5K 1% 1/4W | 144128 |
| R40 | RES MF 100 OHM 1% 1/4W | 144196 | R108 | RES MF 150 OHM 1% 1/4W | 144122 | R178 | RES MF 47.5 OHM 1% 1/4W | 144442 |
| R41 | RES MF 1K 1% 1/4W | 144090 | R109 | RES MF 6.49K .5% 1/4W | 144401 | R179 | RES MF 47.5 OHM 1% 1/4W | 144442 |
| R42 | RES MF 150 OHM 1% 1/4W | 144122 | R110 | RES MF 6.49K .5% 1/4W | 144401 | R180 | RES MF 100 OHM 1% 1/4W | 144196 |
| R43 | RES MF 150 OHM 1% 1/4W | 144122 | R111 | RES MF 6.49K .5% 1/4W | 144401 | R181 | RES MF 332 OHM 1/4W 1% | 144446 |
| | | | R112 | RES MF 6.49K .5% 1/4W | 144401 | R182 | RES MF 47.5K 1% 1/4W | 144108 |
| | | | R113 | RES MF 100 OHM 1% 1/4W | 144196 | R183 | RES MF 10K 1% 1/4W | 144053 |

EXPLODED VIEW AND PARTS LIST



| Ref. No. | Part No. | Description |
|----------|----------|----------------------------------|
| 1 | 005090 | BRACKET EXTRUSION |
| 2 | 016513 | GLASS MVP861 |
| 3 | 017517 | PUSHBUTTON ASSY |
| 4 | 017531 | PUSHBUTTON ASSY RED |
| 5 | 017781 | BEZEL FRONT |
| 6 | 017906 | FAB GUIDE PCB |
| 7 | 018585 | EXTRUSION MATERIAL, GLASS |
| 8 | 018706 | EXTRUSION BOTTOM |
| 9 | 078033 | O-RING |
| 10 | 092445 | DISPLAY FILTER |
| 11 | 094016 | TAPE FOAM 1/4 X 1/8 IN |
| 12 | 094360 | TAPE FOAM 1/2 X 1/2 IN |
| 13 | 098113 | CORD DIAL .027 BLK BRAID SLK |
| 14 | 100147 | SCREW MACH 6-32 X 3/16 PHIL |
| 15 | 005448 | FAB REAR PANEL |
| 16 | 102001 | NUT KEP 4-40 ZINC PLATE |
| 17 | 102020 | NUT MACH 6-32 SELF-LOCK |
| 18 | 117755 | RECEPTACLE INPUT & LINE FILTER |
| 19 | 005444 | TRAY |
| 20 | 005445 | FAB BRACKET LEFT |
| 21 | 005446 | FAB BRACKET RIGHT |
| 22 | 005447 | FAB SUBPANEL |
| 23 | 005449 | FAB SIDE RIGHT |
| 24 | 005450 | FAB SIDE LEFT |
| 25 | 005451 | FAB BRACKET TRANSFORMER |
| 26 | 017218 | FOOT PLASTIC BLACK |
| 27 | 017452 | KLIP WIRE |
| 28 | 017687 | CLAMP CABLE |
| 29 | 050115 | ASSY PCB DISPLAY |
| 30 | 017901 | LOGO PUSHBUTTON BACKLIGHT |
| 31 | 017902 | SUPPORT PCB LOCKING ADHSV BASE |
| 32 | 017907 | TITLE/PUSHBUTTON BACKLIGHT |
| 33 | 017933 | CIRCUIT BOARD SUPPORT |
| 34 | 017963 | MOLD DOOR MVP861 |
| 35 | 019056 | SPRING |
| 36 | 100159 | SCREW MACH 10-32 X 3/4 PH PN BLK |
| 37 | 100296 | SCREW MACH SEM 4-40 X 5/16 PH PN |
| 38 | 100300 | SCREW MACH SEMS 6-32 X 1 PH PAN |
| 39 | 101054 | SCREW TAPTT 6-32 X 1/4 PH PN BLK |
| 40 | 101196 | SCREW TAP SEMS 6-32 X 1/4 PH PAN |
| 41 | 101197 | SCREW HI/L0 4-24 X 3/8 PH RD BLK |
| 42 | 101222 | SCREW TT SEMS 6-32 X 1/4 PH PAN |
| 43 | 102003 | NUT MACH 6-32 W/LOCK |
| 44 | 104083 | WASHER #10 PLATED 10406200 |
| 45 | 104142 | WASHER LOCK 2.5mm INT STR ZINC |
| 46 | 104145 | WASHER NYLON BLK |
| 47 | 112015 | STAND-OFF |
| 48 | 117800 | MTA CONNECTOR 8PIN .156 |
| 49 | 159343 | TRANSFORMER R-CORE POWER |
| 50 | 166034 | LABEL INTERNAL LASER WARNING |
| 51 | 320176 | MAIN UNIT |
| 52 | 320177 | VIDEO UNIT |
| 53 | 050114 | ASSY PCB MAIN |
| 54 | 320178 | DVD MECHANISM ASSY DVD-2900 |

REPACKING INSTRUCTIONS

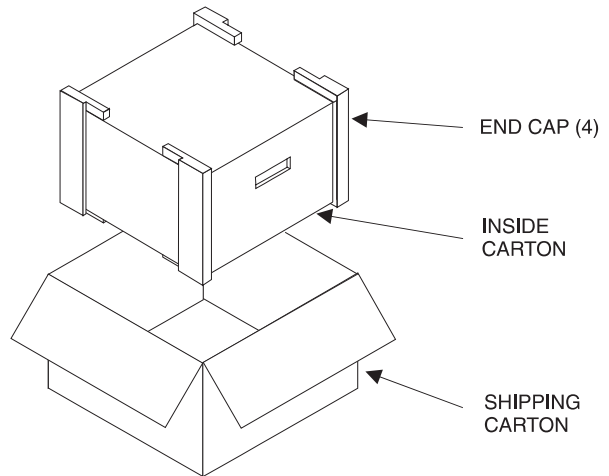
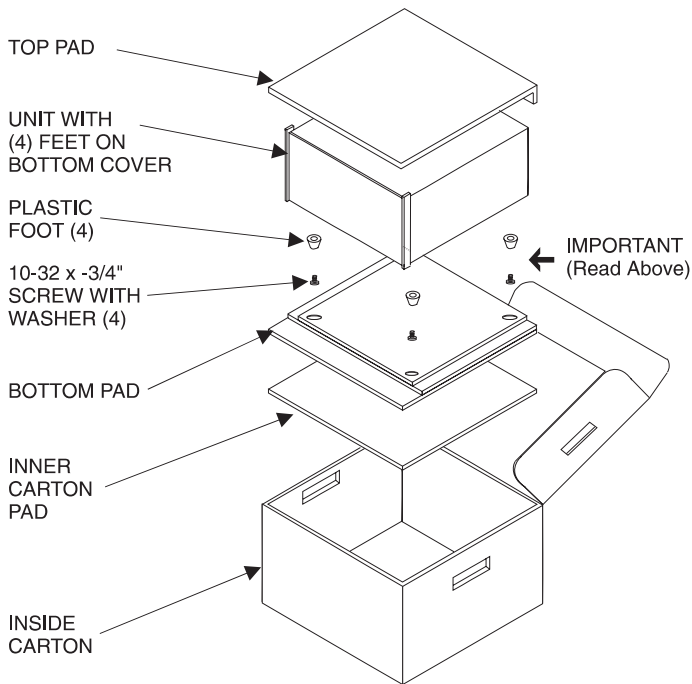
In the event it is necessary to repack the unit for shipment, the unit must be packed exactly as shown below.

IMPORTANT - The four plastic feet must be attached to the bottom of the unit so they will locate in the four holes of the bottom pad. Failure to do this will result in shipping damage.

If a shipping carton or any of the interior parts is needed, please call or write the Customer Service Department of McIntosh Laboratory. Order parts from the accompanying list by part number.

Use the original shipping carton and interior parts only if they are in good serviceable condition.

| Qty. | Part No. | Description |
|------|----------|--|
| 1 | 034075 | Shipping carton only |
| 4 | 033837 | Foam end cap |
| 1 | 034076 | Inside carton only |
| 1 | 033726 | Top pad |
| 1 | 034036 | Bottom pad |
| 1 | 034077 | Inner carton pad |
| 4 | 017218 | Plastic foot |
| 4 | 100159 | #10-32 x 3/4" Machine screw |
| 4 | 104083 | #10 x 7/16" Flat washer |
| 1 | 049270 | Shipping carton complete with all the above parts. |



MVP861

DVD AUDIO/VIDEO PLAYER

SERVICE MANUAL



The continuous improvement of its products is the policy of McIntosh Laboratory Incorporated, who reserve the right to improve design without notice. Because of the constant upgrading of McIntosh products' circuitry and components, the Company cannot insure, and does not warrant, the accuracy of the within schematic material, which is intended for information only.

McINTOSH LABORATORY, INC., 2 CHAMBERS STREET, BINGHAMTON, NEW YORK 13903 Printed in U.S.A. Part Number 040968